



भारतीय सूचना प्रौद्योगिकी संस्थान, इलाहाबाद Indian Institute of Information Technology, Allahabad

An Institute of National Importance by Act of Parliament
Deoghat, Jhalwa, Allahabad-211015 (U.P.) INDIA

Ph.: 0532-2922025, 2922067, Fax : 0532-2430006, Web : www.iiita.ac.in, E-mail : contact@iiita.ac.in

Ref no. IIIT-A/FIP/421 /2018
Date: 12/01/2018

Enquiry Letter

M/s.

.....

.....

Ph. No.:

Sub: Quotation for procurement of Garbage Collection Trolley at IIIT-Allahabad

Enquiry issue date: 12/01/2018

Last submission date: 31/01/2018 at 12:00 Noon

Opening of Bid: 31/01/2018 at 3:30 PM

EMD Amount: Rs.5,000/- (Five Thousand Only)

Dear Sir,

Institute intends to purchase and Installation of Garbage Collection Trolley at IIIT-Allahabad for which quotations are invited as per details given in below:-

Sl. No.	Item Description	Unit	Qty.	Unit Rate	Amount (Rs.)
1	Frame: Fabrication of ISA of 35mm x 35mm x 5 mm complete frame and additional two arms base of base size 710mm x 610 mm x710mm & top size 990mm x 610mm. Side & base sheet of 16gauge miles steel sheet with complete welding and finishing alongwith suitable hand holding as above mentioned dimensions. Wheel: Wheel of 455mm dia (OD) having 24nos. 12mm supporting MS bar for holding to centre & outer surface & centre balance bearing suitable size for 25mm to 30mm solid MS bar lockable threading arrangement and sufficient space in between wheel & container (Trolley). Trolley wheel surface (outer) have solid PVC with rubberized material to be provided without having any play in between shaft & bearing inner dia (ID). Painting: Painting of two coat robber paint (Anty rusting) over one coat of primer paint with a rubberized sticker both side with a matter "GARBAGE COLLECTION TROLLEY-IIIT-A" (Drawing along with specification attached as Annexure-I)	Nos.	15		
	Installation Charges				
	Total -				
	Taxes (GST)-				
	Total amount-				

[Handwritten Signature]
12/1/2018

You are requested to submit the quotation by courier/speed post with complete details of specifications, terms & conditions warranty/guarantee etc. **upto 31/01/2018 at 12:00 Noon.**


Quotations duly sealed may be dropped in the tender box placed in the office of the Faculty In-Charge Purchase, IIIT-Allahabad. Basic rate, taxes and freight charges etc. must be quoted separately. Quotation should be addressed to **Faculty In-Charge Purchase, IIIT-Allahabad, Deoghat Jhalwa, Allahabad-211015. Kindly mention enquiry reference number, subject, due date contact address etc on envelopes. Incomplete quotation will not be accepted.**

Note:

1. FOR destination IIIT-Allahabad.
2. Minimum turnover of the firm should be Rs.8 lakh or more in last two financial year (2015-16 & 2016-2017).
3. Quoted rate should be valid at least for 60 days.
4. The mention quantity is approx quantity; it may decrease/increase upto 10%.
5. Enquiry/tender must be quoted in prescribed format on the letter head of the firm/vendor, otherwise quotation may be rejected.
6. Vendors are desired to attach the photographs of quoted SS Garbage Bin, the quality of which will be checked in person before the procurement.
7. Work should be completed within 05-06 weeks from the receipt of the Work/Purchase order. If, the work/supply delayed beyond the stipulated time of completion of work/supply penalty of 1% per week of total cost may be imposed at the discretion of competent authority. The penalty may be upto 10% of the total cost.
8. If it is found that items are fake or of sub-standard quality and not conforming to the required specifications, the firm, will have to replace the fake/ sub-standard items with genuine ones immediately but they will also be liable to be blacklisted.
9. Rate quoted by the firm should not be higher than the MRP/prevaling market rate.
10. Conditional quotations are liable to be rejected. In the event of acceptance, Director's decision will be final. The rates should be quoted as per our required specifications. The quotation which is not as per our required specifications, will not be considered on any ground.
11. The right to accept or reject any tender/ quotation, partially or wholly, including lowest quotation without assigning any reason whatsoever thereof or incurring any liability thereby is reserved with the Director, IIIT, Allahabad. The Director, also reserves the right to split the tender and place the orders for supply of item(s), mentioned in the enquiry letter on one or more tenderer. The decision of the Director, with regard to enforcement of these terms and conditions herein contained, as a result of breach of these conditions by successful Tenderers, shall be final and the Director, shall not be liable for any damage/liability put forth by the Tenderers at any stage of the transaction arising out of the enforcement of any or all herein contained terms and conditions.
12. In case the firm fails to complete the job within maximum specified period, Institute reserves the right to get the job done by any other firm and the difference of cost if any, will be recovered from the defaulting firm.
13. Payment will be made within fifteen after completion of work, satisfactory inspection & satisfactory report. No conditions/ clause with regard to interest etc. shall be entertained.
14. All the documents submitted must be legible and self attested. Otherwise it is likely to be rejected.
15. In view of wide publicity the details are also available on our web site (www.iiita.ac.in), may be seen.
16. **Security Deposit:** L1 bidder will have to submit Bank Guarantee/FDR of 10% of total contract value within 10 days from Nationalized Bank against performance bank guarantee which will be released after six month of the completion of the work. EMD submitted with tender document will be released after submission of Security Deposit for the successful bidder.

17. EMD should be in a form of Demand Draft/FDR in favour of "Indian Institute of Information Technology Allahabad" payable at "Allahabad" (Any tender/quotation without EMD will not be considered).
18. The EMD shall be returned to the bidder (s) whose offer is not accepted by the Institute within 15 days after finalisation and award of the contract without any interest. Unsuccessful bidders may collect the EMD (within next 10 days after finalization & award of the contract) from Store and Purchase Section, IIIT-A between 3PM to 5PM on any working day after providing a copy of any Photo Identity Card. After these 10 days EMD will be sent by registered post to the postal address provided by the firm/bidder at point no.19. Representative may also collect the EMD on behalf of the bidder, after providing an authorization letter from the bidder along with a copy of his photo identity card. If the return of EMD is delayed for any reason, no interest/penalty shall be payable to the bidder.
19. **Complete Postal address of tenderer/bidder (to dispatch the EMD to unsuccessful bidder):**

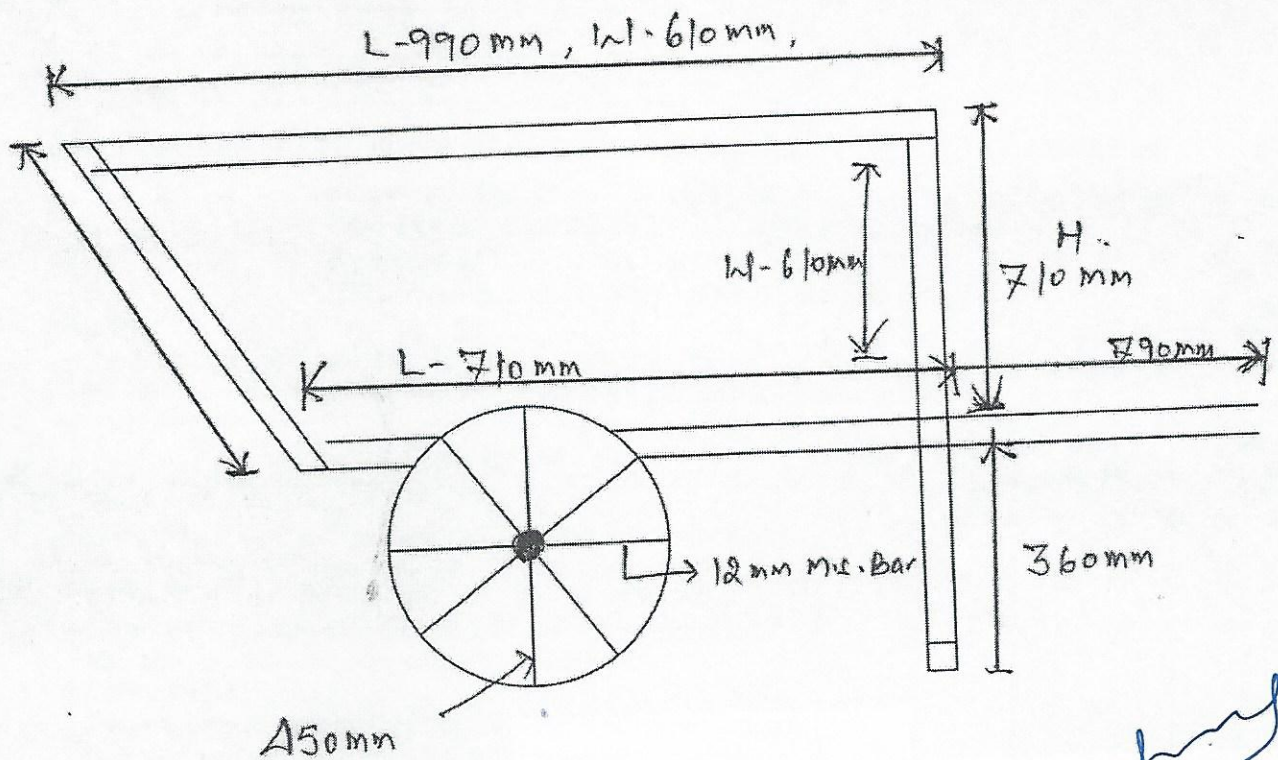
20. The tender will be opened in the presence of the tenderers, or authorized representatives interested to be present on **31/01/2018 at 3:30 PM**. Vendors are desired to submit their authorization letter at the time of opening of tender/enquiry.
21. May feel free to contact on E-mail-info.purchase@iiita.ac.in, Ph. No. : 0532-2922051.
22. Kindly quote your Income Tax PAN No./GST No. etc. on the quotation raised by you. If PAN No. not quoted, 20% Tax will be deducted at source.
23. The lowest rate will not be the basis of claim to get the order.
24. All disputes are subject to Jurisdiction of Allahabad Courts.
25. Kindly quote your email ID and Bank details etc.


12/11/2018
Faculty In-Charge Purchase

Read and accepted

**Signature & stamp of Bidder or
Authorized Signatory**

FRONT VIEW OF THE GARBAGE COLLECTION TROLLEY



[Signature]
12/11/2018